

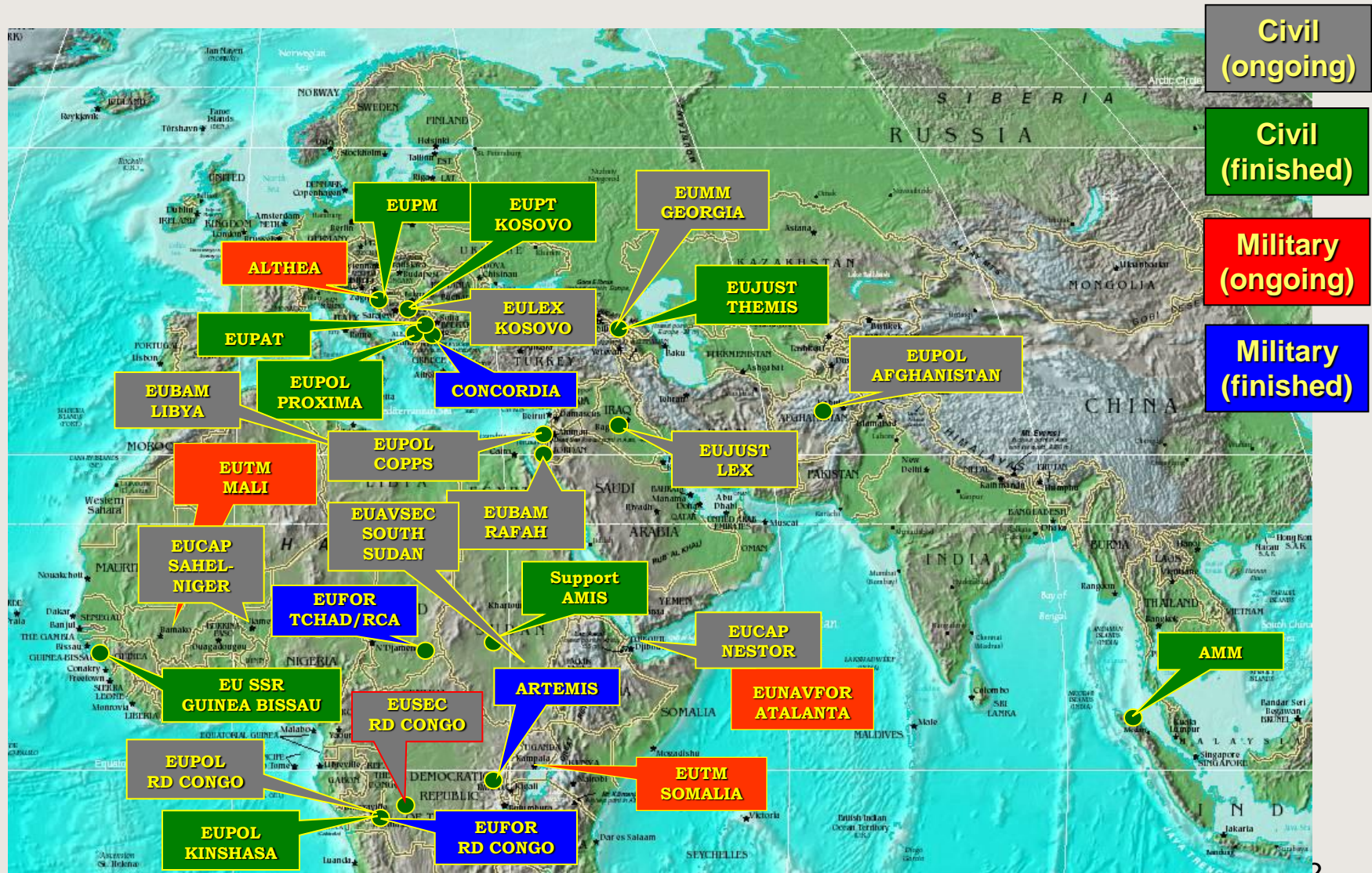
# CSDP missions and operations

Maria FIHL

Civilian Planning and Conduct Capability (CPCC)

Col Bruno-Mikaël NICOLAS

European Union Military Staff (EUMS)

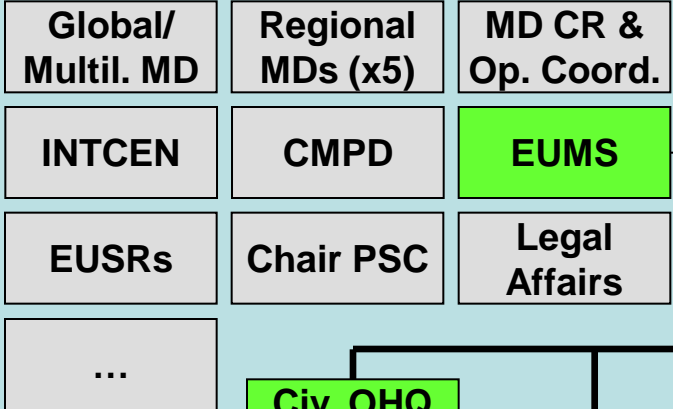
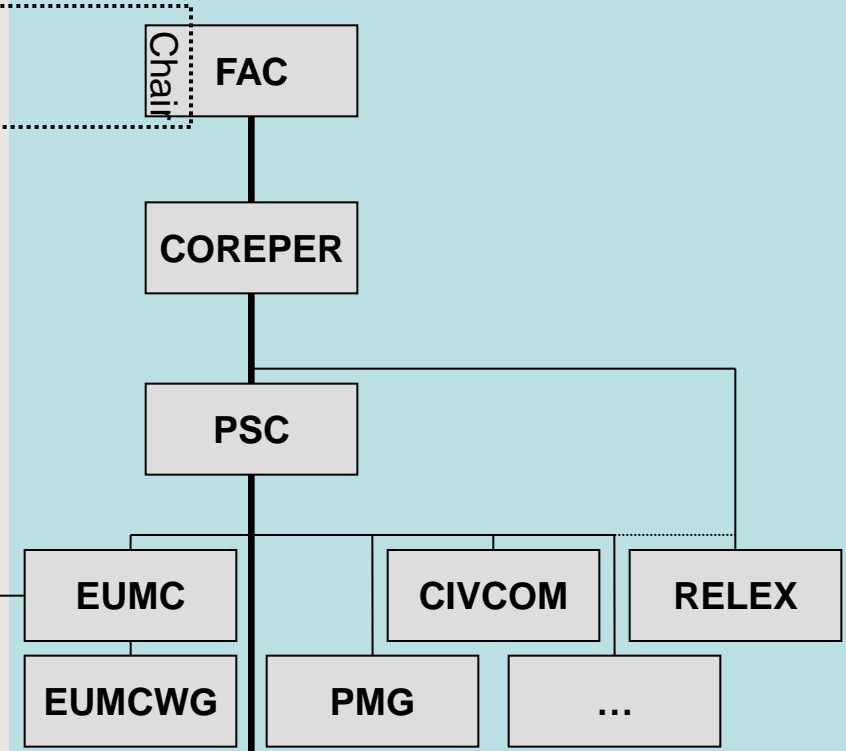
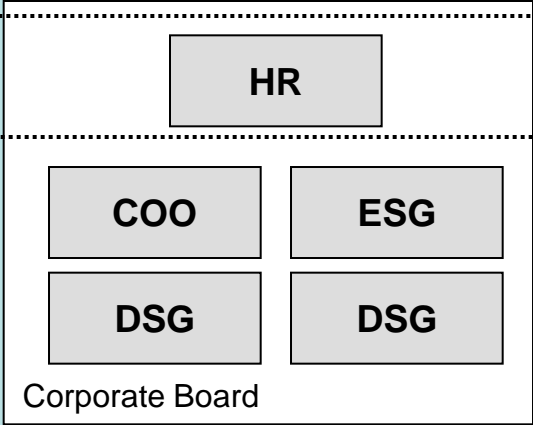




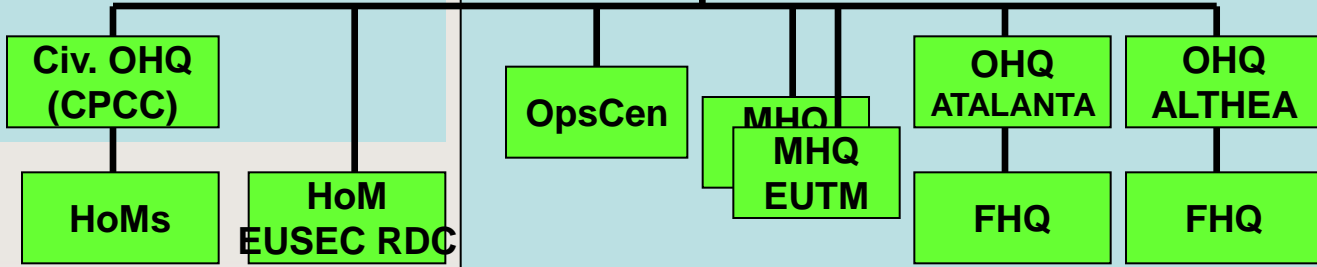
### Eur. Com.

### EEAS

### Council of the European Union



~ 140 EU  
Delegations





European Union  
**EXTERNAL ACTION**

**UNCLASSIFIED**

MILITARY STAFF



# Focus on CSDP military operations

# Military OHQ Options

*Political  
Strategic  
Level*



*Military  
Strategic  
Level*



Berlin+ with recourse to  
NATO assets and  
capabilities



Autonomous



Autonomous

# LESSONS FROM PAST OPERATIONS

- **CONCORDIA (2003) : “*Berlin +*”**
- **ARTEMIS (2003) : EU BG Concept**
- **EUFOR RD Congo (2006) : EU-UN cooperation**
- **EUFOR TCHAD-RCA (2008/09) : Bridging Operation**
- **EUSEC RDC (2005-xx) : SSR, military-focussed “civilian” mission**



European Union  
**EXTERNAL ACTION**

**LIMITED**

**MILITARY STAFF**



# Balkans

*From NATO SFOR to EUFOR ALTHEA*

# Operation ALTHEA



## MISSION

- To support BiH efforts to maintain Safe and Secure Environment & to contribute to capacity building & training of Armed Forces of BiH



# Operation ALTHEA

## FACTS & FIGURES



- Launch: Dec 2004, from SFOR
- C2: Berlin +, EUSG in SHAPE
- OpCdr Gen Shirref (DSACEUR)  
FCdr MGen Heidecker (AT)
- Strength: ~600 troops
- Last reconfiguration Sept 2012
- MNBn(-) in Sarajevo,  
LOTs throughout the country
- 18 Member States + 5

## STATE OF PLAY

- SASE in BiH
- Adequate Force Flow
- Increased CB&T efforts

## CHALLENGES

- BiH political stalemate
- Executive role
- Surplus ammunition & weapons





European Union  
**EXTERNAL ACTION**

**LIMITED**

MILITARY STAFF



# Horn of Africa

*The « Comprehensive Approach » model*

# Horn of Africa



## EU STRATEGIC APPROACH

- Strategic Framework for the HoA
- Sub-strategies and Action Plans
- EUSR
- 4 CSDP missions and operations (EUNAVFOR Atalanta, EUTM Somalia, EUCAP Nestor & EUAVSEC Juba)
- Activated OpsCen for HoA



# EUNAVFOR ATALANTA



## MISSION

- To protect World Food Program (WFP) shipping, other vulnerable shipping, deter, prevent and intervene in order to bring to an end acts of piracy.



# EUNAVFOR Atalanta



## FACTS & FIGURES

- Launch 2008
- First CSDP naval operation
- Mandate extended until Dec 2014
- OHQ Northwood, FHQ afloat
- OpCdr RAdm Tarrant (UK)
- 4 to 7 surface combat vessels, 1 auxiliary ship, 3 to 5 MPRAs
- 24 contributing Member States + 5

Jan Feb Mar Apr May Jun Jul Aug Sep Oct Nov Dec

NE

SW

# EUNAVFOR Atalanta



## **STATE OF PLAY**

- **Success rate / piracy statistics**
- **Tactical level coordination**
- **EU legal framework**

## **CHALLENGES**

- **Reversible success**
- **Force flow**
- **Addressing roots of piracy**



# EUTM SOMALIA



## MISSION

- To provide political and strategic advice on security sector development as well as specific mentoring, advice and capacity building in the training domain.



# EUTM Somalia



## FACTS & FIGURES

- Launch April 2010
- MCdr BGen Aherne (IE)
- MHQ Kampala (Uganda)
- Training Camp in Bihanga (Uganda)
- MATE HQ in Mogadishu
- Renewed Mandate until Mar 2015
- Progressive shift to Somalia
- 12 contributing Member States + 1



# EUTM Somalia



## STATE OF PLAY

- Mission outputs
- Cooperation with partners
- Training concept



## CHALLENGES

- Mogadishu Security Situation
- Exit Strategy



European Union  
**EXTERNAL ACTION**

**LIMITED**

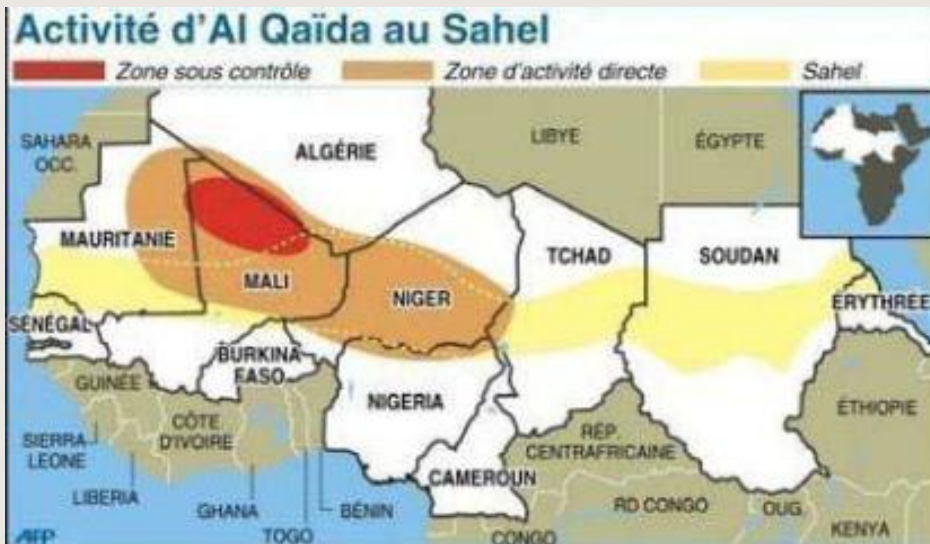
**MILITARY STAFF**



# Sahel

*A new comprehensive test case?*

# Sahel



## EU APPROACH

- **Strategy for Security and Development**
- **2 CSDP missions deployed (EUCAP Sahel & EUTM Mali)**
- **Support to ECOWAS (EUMS CHC)**
- **EU Special Representative for the Sahel**
- **Options paper to be developed for EU civilian spt**

# EUTM MALI



## MISSION

- To provide military and training advice to the Malian Armed Forces on command & control, logistics, human resources, international humanitarian law, protection of civilians and human rights.



# EUTM Mali



## FACTS & FIGURES

- Official launch on 18 Feb 2013
- 15 months mandate
- MHQ in Bamako, Training in Koulikoro
- MCdr BGen Lecointre (FR)
- Strength: 540 (200 instructors)
- 4 Malian battalions to be trained
- Common costs: 29,9 M€



# EUTM Mali



## STATE OF PLAY

- Mission established
- Ongoing 1<sup>st</sup> Battalion training
- Advisory role



## CHALLENGES

- MAF Equipment
- Force Generation
- Financing



European Union  
**EXTERNAL ACTION**

**LIMITED**

MILITARY STAFF



# EU Military Operations

*Summary & Current Trends*

## EU Military Operations in short

- **4 ongoing military Missions/Operations:  
ALTHEA – ATALANTA – EUTM Mali & EUTM Somalia**
- **as part of Regional EU regional Strategies**
- **developed into “Comprehensive” approaches**
- **with permanent Civ/Mil (CSDP) interaction**
- **possibly with ad Hoc C2 structures**
- **Financing challenges**
- **...and Exit Strategy linked to other (EU) instruments.**

# Focus on CSDP civilian missions